

# NOW

TECHNICAL MANUAL

**NOW**



**NOW** pag. 9

Technical information	NOW .1 - art. 8114B+8114A	NOW .2 - art. 8115B+8114A
Minimum hydraulic pressure:	3 dynamic bar	3 dynamic bar
Maximum hydraulic pressure:	4 dynamic bar	4 dynamic bar
Hot water max temperature:	80°C	80°C
Weight:	9 Kgs + 1,5 Kgs	9 Kgs + 1,5 Kgs
Recommended installation conditions:		
- Hydraulic pressure:	3 dynamic bar	3 dynamic bar

## Versions

**NOW shower column available with a MECHANICAL mixer consists of the following:**

A) BUILT-IN UNIT

B) EXTERNAL PART available in two different versions:

**Now .1**

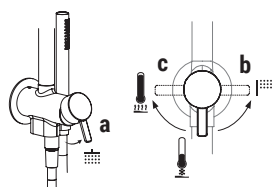
**Now .2**

**NOW .1 EXTERNAL PART including:**

- Ø 30 cm SHOWER HEAD, chromed ABS
- INTEGRATED SHOWER SET, with FIT handshower and 150 cm PVC flexible
- MIXER HANDLE

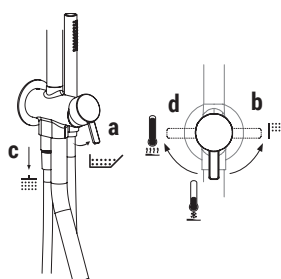
**NOW .2 EXTERNAL PART including:**

- Ø 30 cm SHOWER HEAD, chromed ABS
- INTEGRATED SHOWER SET, with FIT handshower and 150 cm PVC flexible
- MIXER HANDLE
- BATHTUB SPOUT



**Functioning of Now .1:**

- a)** The handle set in the central position activates the shower head and controls the water flow.
- b)** Moving the handle from the central position to the right by 90°, the hand shower is activated.
- c)** Turning the handle 80° clockwise the temperature can be adjusted.



**Functioning of Now .2 :**

- a)** The handle set in the central position activates the bath spout and controls the water flow.
- b)** Moving the handle from the central position to the right by 90°, the hand shower is activated.
- c)** Pulling the flexible downwards and turning its nut the shower head is activated.
- d)** Turning the handle 80° clockwise the temperature can be adjusted.

**Base materials:**

- Brass
- 02 Chrome

**Built-in shower mixer**

- handle
- ceramic disc cartridge with **2-way** diverter
- shower head
- FIT handshower
- handshower holder
- 150 cm PVC flexible
- 1/2" inlets

**Art. 8114B**



**External piece**

Chrome 86 02 8114B

**Art. 8114A**

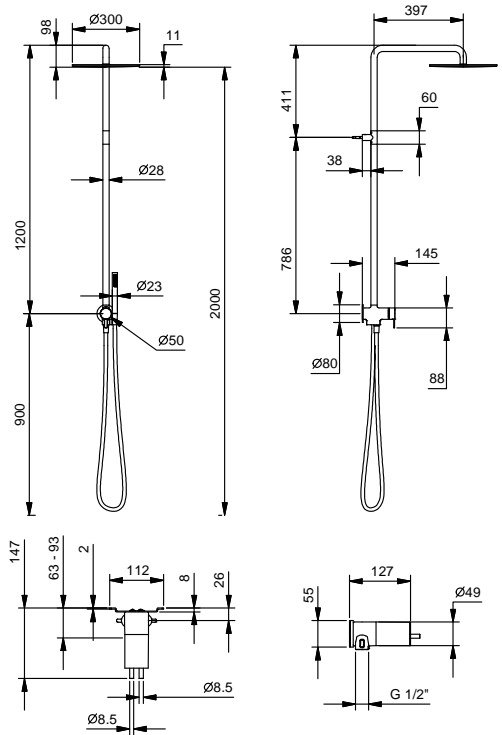


**Built-in piece**

86 00 8114A

**TOTAL PRICE**

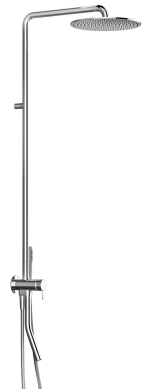
Chrome



**Built-in shower mixer**

- handle
- shower head
- ceramic disc cartridge with **2-way** diverter
- diverter for third outlet
- bathtub spout
- FIT handshower
- 150 cm PVC flexible
- handshower holder
- 1/2" inlets

**Art. 8115B**



**External piece**

Chrome 86 02 8115B

**Art. 8114A**

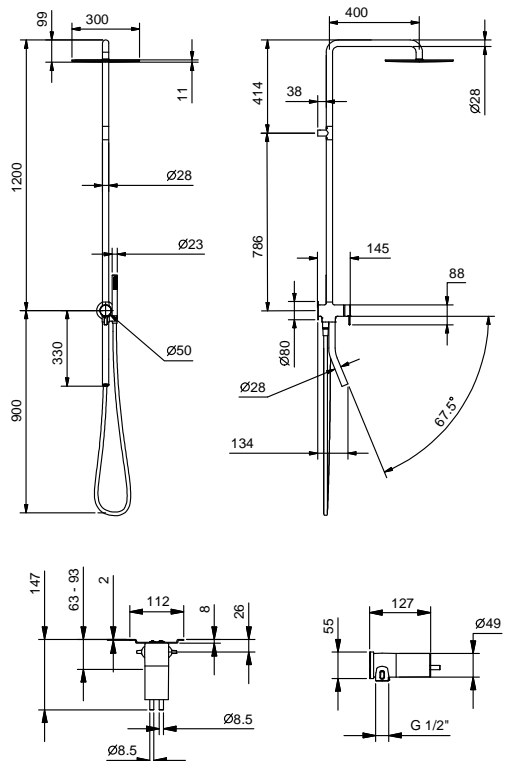


**Built-in piece**

86 00 8114A

**TOTAL PRICE**

Chrome





**Fratelli Fantini Spa**

Pella (Novara), Italy - t. +39 0322 918411

[fantini@fantini.it](mailto:fantini@fantini.it) - [www.fantini.it](http://www.fantini.it)