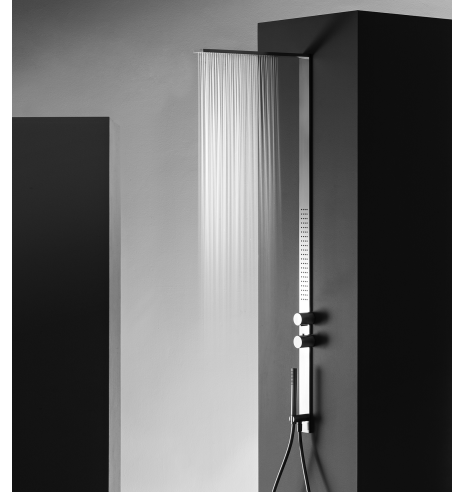


MILANOSLIM

TECHNICAL MANUAL

MILANOSLIM



MilanoSlim Easy pag. 10

MilanoSlim pag. 12

Technical information

	MILANOSLIM EASY - art. H002
Minimum hydraulic pressure:	2 dynamic bar
Maximum hydraulic pressure:	4 dynamic bar
Hot water max temperature:	80°C
Weight:	7,5 Kgs
Recommended installation conditions: - Hydraulic pressure:	3 dynamic bar

The MILANOSLIM EASY shower is available in the PROGRESSIVE CARTRIDGE version and consists of the following.

Functioning of MilanoSlim Easy Art. H002:

The lower handle controls the progressive cartridge to regulate the required temperature.

The upper handle opens/closes the water and diverts it to the following outlets:

- UPPER SHOWER HEAD
- HANDSHOWER

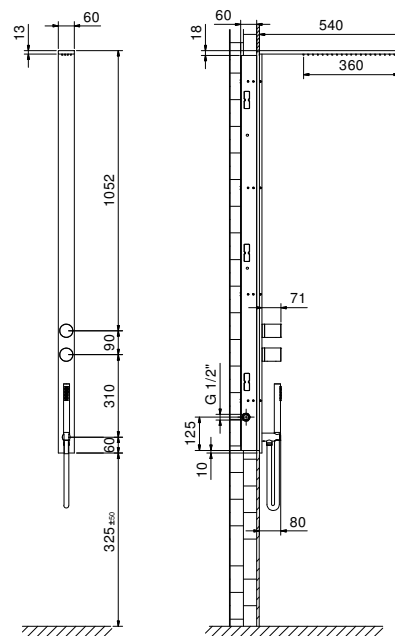
Base materials:

- Stainless Steel AISI 316
- 38 Brilliant Stainless Steel
- 93 Brushed Stainless Steel

Art. H002

Shower column

- fixed anti-lime shower head
- FIT handshower
- 125 cm PVC flexible
- built-in shower mixer progressive cartridge
- **2-way** shut-off diverter with turning knob
- built-in part included



Brilliant Stainless Steel 72 38 H002

Brushed Stainless Steel 72 93 H002

Technical information

	MILANOSLIM - art. H001+H091
Minimum hydraulic pressure:	2 dynamic bar
Maximum hydraulic pressure:	4 dynamic bar
Hot water max temperature:	80°C
Weight:	7,5 Kgs + 10,5 Kgs
Recommended installation conditions:	
- Hydraulic pressure:	3 dynamic bar
- Hot water temperature:	from 55°C to 65°C

The MILANOSLIM shower is available in the THERMOSTATIC version and consists of the following.

Functioning of MilanoSlim Art. H001+H091:

The lower handle controls the thermostatic cartridge to regulate the requested temperature.

The upper handle opens/closes the water and diverts it to the following outlets:

- UPPER SHOWER HEAD
- FRONT JET
- HANDSHOWER

Base materials:

- Stainless Steel AISI 316
- 38 Brilliant Stainless Steel
- 93 Brushed Stainless Steel

Shower column

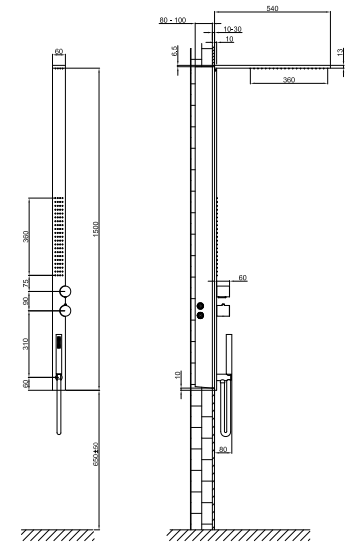
- fixed anti-lime shower head
- anti-lime shower sprays for vertical massage
- FIT handshower
- 125 cm PVC flexible
- 1/2" built-in thermostatic shower mixer
- **3-way** shut-off diverter with turning knob

Art. H001

External piece

Brilliant Stainless Steel 72 38 H001

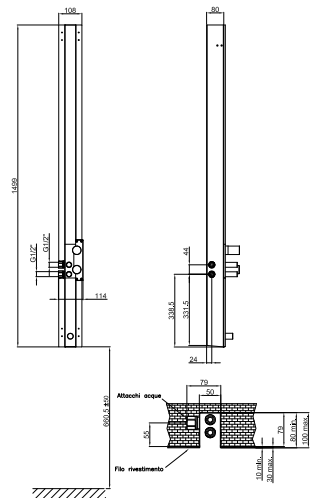
Brushed Stainless Steel 72 93 H001



Art. H091

Built-in piece

72 00 H091



TOTAL PRICE

Brilliant Stainless Steel

Brushed Stainless Steel



Fratelli Fantini Spa

Pella (Novara), Italy - t. +39 0322 918411

fantini@fantini.it - www.fantini.it