



**Product Catalogue 2021\_Update**  
FOIL

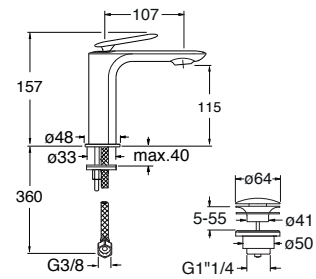
 **CRISTINA**  
RUBINETTERIE

**CRIFL220** REGULAR



IT Miscelatore monocomando Lavabo Regular monoforo da piano, con miscelazione meccanica e scarico Up&Down da 1" 1/4  
 DE Waschtisch-Einhandmischer Regular mit Ablaufgarnitur Up&Down 1" 1/4  
 FR Mitigeur Lavabo monotrou Regular, cartouche monocomande, avec vidage Up&Down 1" 1/4  
 EN One-hole Basin single lever mixer Regular with Up&Down waste 1 1/4"  
 ES Monomando Lavabo Regular sobre repisa y desague Up&Down 1" 1/4  
 RU Настольный Смеситель для раковины "Regular" с донным клапаном Up&Down 1" 1/4

51 cromo 13 nero opaco 75 cromo nero spazzolato 34P oro rosa spazzolato PVD  
 72 cromo nero lucido 96P gold brass spazzolato PVD 46P oro rosa lucido PVD 56P gold brass lucido PVD

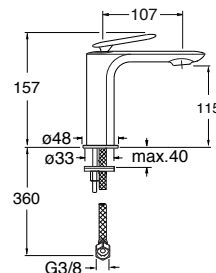


**CRIFL920** REGULAR



IT Miscelatore monocomando Lavabo Regular monoforo da piano, con miscelazione meccanica senza scarico  
 DE Waschtisch-Einhandmischer Regular ohne Ablaufgarnitur  
 FR Mitigeur Lavabo monotrou Regular, cartouche monocomande, sans vidage  
 EN One-hole Basin single lever mixer Regular without waste  
 ES Monomando Lavabo Regular sobre repisa sin desague  
 RU Настольный Смеситель для раковины "Regular" без донного клапана

51 cromo

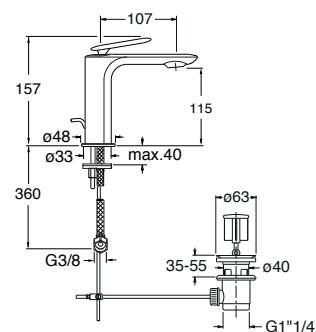


**CRIFL221** REGULAR



IT Miscelatore monocomando Lavabo Regular monoforo da piano, con miscelazione meccanica e scarico da 1" 1/4 con asta e saltarello  
 DE Waschtisch-Einhandmischer Regular mit Ablaufgarnitur 1" 1/4 mit Zugstange  
 FR Mitigeur lavabo monotrou Regular, cartouche monocomande, avec vidage tirette 1" 1/4  
 EN One-hole Basin single lever mixer Regular with pop-up waste 1 1/4"  
 ES Monomando Lavabo Regular sobre repisa y desague 1" 1/4 con varilla  
 RU Настольный Смеситель для раковины "Regular" с донным клапаном 1" 1/4

51 cromo 13 nero opaco 75 cromo nero spazzolato 34P oro rosa spazzolato PVD  
 72 cromo nero lucido 96P gold brass spazzolato PVD 46P oro rosa lucido PVD 56P gold brass lucido PVD

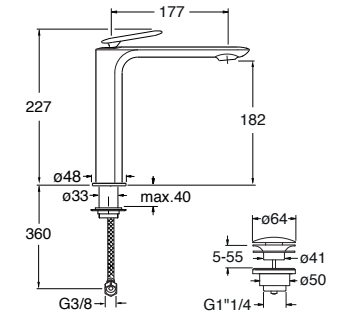


**CRIFL227** MEDIUM



IT Miscelatore monocomando Lavabo Medium monoforo da piano, con miscelazione meccanica e scarico Up&Down da 1" 1/4  
 DE Waschtisch-Einhandmischer Medium mit Ablaufgarnitur Up&Down 1" 1/4  
 FR Mitigeur Lavabo monotrou Medium, cartouche monocomande, avec vidage Up&Down 1" 1/4  
 EN One-hole Basin single lever mixer Medium with up&Down waste 1 1/4"  
 ES Monomando Lavabo Medium sobre repisa con desague Up&Down 1" 1/4  
 RU Настольный Смеситель для раковины "Medium" с донным клапаном Up&Down 1" 1/4

51 cromo 13 nero opaco 75 cromo nero spazzolato 34P oro rosa spazzolato PVD  
 72 cromo nero lucido 96P gold brass spazzolato PVD 46P oro rosa lucido PVD 56P gold brass lucido PVD

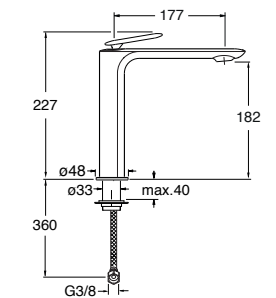


**CRIFL927** MEDIUM



IT Miscelatore monocomando Lavabo Medium monoforo da piano, con miscelazione meccanica senza scarico  
 DE Waschtisch-Einhandmischer Medium ohne Ablaufgarnitur  
 FR Mitigeur Lavabo monotrou Medium, cartouche monocomande, sans vidage  
 EN One-hole Basin single lever mixer Medium without waste  
 ES Monomando Lavabo Medium sobre repisa sin desague  
 RU Настольный Смеситель для раковины "Medium" без донного клапана

51 cromo

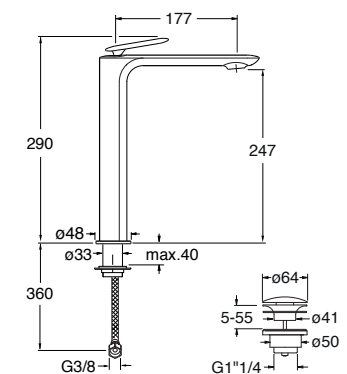


**CRIFL222** TALL



IT Miscelatore monocomando Lavabo Tall monoforo da piano, con miscelazione meccanica e scarico Up&Down da 1" 1/4  
 DE Waschtisch-Einhandmischer Tall mit Ablaufgarnitur Up&Down 1" 1/4  
 FR Mitigeur Lavabo monotrou Tall, cartouche monocomande, avec vidage Up&Down 1" 1/4  
 EN One-hole Basin single lever mixer Tall with up&Down waste 1 1/4"  
 ES Monomando Lavabo Tall sobre repisa y desague Up&Down 1" 1/4  
 RU Настольный Смеситель для раковины "Tall" с донным клапаном Up&Down 1" 1/4

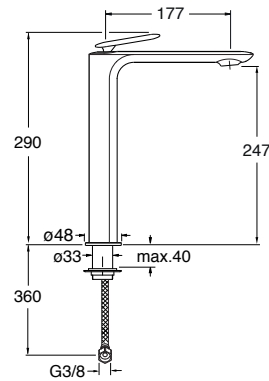
51 cromo 13 nero opaco 75 cromo nero spazzolato 34P oro rosa spazzolato PVD  
 72 cromo nero lucido 96P gold brass spazzolato PVD 46P oro rosa lucido PVD 56P gold brass lucido PVD



**CRIFL922 TALL**



- IT Miscelatore monocomando Lavabo Tall monoforo da piano, con miscelazione meccanica senza scarico
- DE Waschtisch-Einhandmischer Tall ohne Ablaufgarnitur
- FR Mitigeur Lavabo monotrou Tall, cartouche monocomande, sans vidage
- EN One-hole Basin single lever mixer Tall without waste
- ES Monomando Lavabo Tall sobre repisa sin desague
- RU Настольный Смеситель для раковины "Tall" без донного клапана



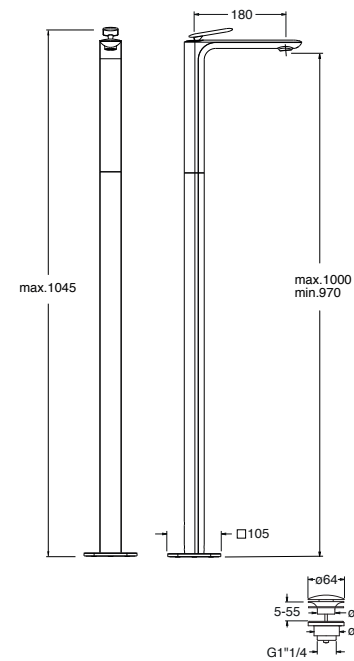
51 cromo



**CRIFL290**



- IT Set esterno monocomando Lavabo monoforo a pavimento, con miscelazione meccanica e scarico Up&Down da 1" 1/4. Da completarsi con parte incasso CRICS290
- DE Fertigmontageset Waschtisch-Einhandmischer bodenstehend für Einbaukörper CRICS290 mit Ablaufgarnitur Up&Down 1" 1/4
- FR Mitigeur Lavabo monocolonne, cartouche monocomande, avec vidage Up&Down 1" 1/4. A compléter avec le corps encastré CRICS290
- EN Floor mounted Basin single lever mixer with Up&Down waste 1" 1/4. To complete with the concealed valve CRICS290
- ES Parte exterior Lavabo a pavimento con desague Up&Down 1"1/4. Se completa con cuerpo empotrar CRICS290
- RU Наружные части напольного смесителя для раковины, с донным клапаном Up&Down 1"1/4, совмещается со встроенным механизмом: CRICS290



51 cromo    13 nero opaco    75 cromo nero spazzolato    34P oro rosa spazzolato PVD  
77 metallic spazzolato

72 cromo nero lucido    96P gold brass spazzolato PVD    46P oro rosa lucido PVD    56P gold brass lucido PVD

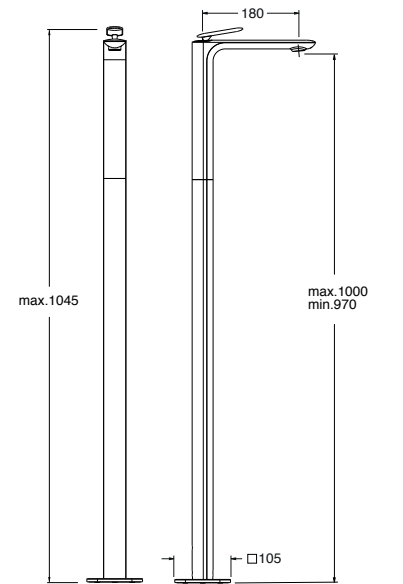


CRICS290 p.15  
ORDINABILE DA / ORDER STARTING FROM: 01/11/2021

**CRIFL990**



- IT Set esterno monocomando Lavabo monoforo a pavimento, con miscelazione meccanica senza scarico. Da completarsi con parte incasso CRICS290
- DE Fertigmontageset Waschtisch-Einhandmischer bodenstehend für Einbaukörper CRICS290 ohne Ablaufgarnitur
- FR Mitigeur Lavabo monocolonne, cartouche monocomande, sans vidage. A compléter avec le corps encastré CRICS290
- EN Floor mounted Basin single lever mixer without waste. To complete with the concealed valve CRICS290
- ES Parte exterior Lavabo a pavimento sin desague. Se completa con cuerpo empotrar CRICS290
- RU Наружные части напольного смесителя для раковины, без донного Клапана, совмещается со встроенным механизмом: CRICS290



CRICS290 p.15

ORDINABILE DA / ORDER STARTING FROM: 01/11/2021

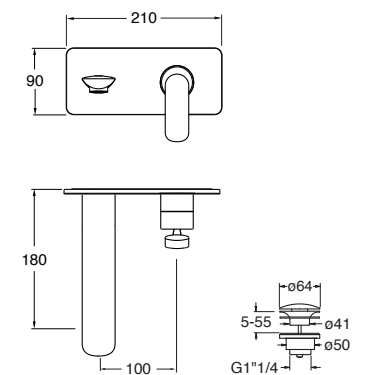
51 cromo



**CRIFL256 REGULAR**



- IT Set esterno monocomando Lavabo Regular a parete, piastra in metallo, con miscelazione meccanica e scarico Up&Down da 1" 1/4. Lunghezza bocca 180 mm. Da completarsi con parte incasso CRICS200 (dx) / CRICS201 (sx)
- DE Fertigmontageset Waschtisch-Einhandmischer Regular Wandmontage für Einbaukörper CRICS200 (Kartusche rechts) / CRICS201 (Kartusche links), Auslauf 180 mm, Abdeckplatte aus Metall mit Ablaufgarnitur Up&Down 1" 1/4
- FR Façade Lavabo mitigeur mural Regular, cartouche monocomande, plaque laiton, avec vidage Up&Down 1" 1/4. A compléter avec le corps encastré CRICS200 (droite) / CRICS201 (gauche)
- EN Wall mounted Basin single lever mixer Regular external parts, metal plate with Up&Down waste 1" 1/4. Spout length 180 mm. To complete with the concealed valve CRICS200 (right) / CRICS201 (left)
- ES Parte exterior monomando Lavabo Regular a pared, placa en metal y desague Up&Down 1" 1/4. Se completa con cuerpo empotrar CRICS200 (diestro) / CRICS201 (zurdo)
- RU Наружные части настенного смесителя для раковины Длина 180 mm совмещается со встроенным механизмом: CRICS200 (правосторонний) / CRICS201 (левосторонний) с донным клапаном Up&Down 1"1/4



51 cromo    13 nero opaco    75 cromo nero spazzolato    34P oro rosa spazzolato PVD  
77 metallic spazzolato

72 cromo nero lucido    96P gold brass spazzolato PVD    46P oro rosa lucido PVD    56P gold brass lucido PVD



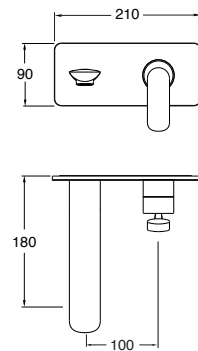
**CRIFL956** REGULAR



CRICS200 p.14 CRICS201 p.15

- IT Set esterno monocomando Lavabo Regular a parete, piastra in metallo, con miscelazione meccanica senza scarico. Lunghezza bocca 180 mm. Da completarsi con parte incasso CRICS200 (dx) / CRICS201 (sx)
- DE Fertigmontageset Waschtisch-Einhandmischer Regular Wandmontage für Einbaukörper CRICS200 (Kartusche rechts) / CRICS201 (Kartusche links), Auslauf 180 mm, Abdeckplatte aus Metall ohne Ablaufgarnitur
- FR Façade Lavabo mitigeur mural Regular, cartouche monocomande, plaque laiton, sans vidage. A compléter avec le corps encastré CRICS200 (droite) / CRICS201 (gauche)
- EN Wall mounted Basin single lever mixer Regular external parts, metal plate without waste. Spout length 180 mm. To complete with the concealed valve CRICS200 (right) / CRICS201 (left)
- ES Parte exterior Lavabo Regular a pared, placa en metal, sin desague. Se completa con cuerpo empotrar CRICS200 (diestro) / CRICS201 (zurdo)
- RU Наружные части настенного смесителя для раковины Длина 180 мм совмещается со встроенным механизмом: CRICS200 (правосторонний) / CRICS201 (левосторонний) без донного Клапана

51 cromo



CRHCR17734Q00

**CRIFL257** REGULAR

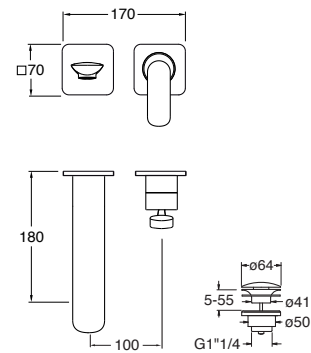


CRICS200 p.14 CRICS201 p.15

- IT Set esterno monocomando Lavabo Regular a parete, con miscelazione meccanica e scarico Up&Down da 1" 1/4. Lunghezza bocca 180 mm. Da completarsi con parte incasso CRICS200 (dx) / CRICS201 (sx)
- DE Fertigmontageset Waschtisch-Einhandmischer Regular Wandmontage für Einbaukörper CRICS200 (Kartusche rechts) / CRICS201 (Kartusche links), Auslauf 180 mm mit Ablaufgarnitur Up&Down 1" 1/4
- FR Façade mitigeur Lavabo mural Regular, cartouche monocomande et vidage Up&Down 1" 1/4. A compléter avec le corps encastré CRICS200 (droite) / CRICS201 (gauche)
- EN Wall mounted Basin single lever mixer Regular external parts with Up&Down waste 1" 1/4". Spout length 180 mm. To complete with the concealed valve CRICS200 (right) / CRICS201 (left)
- ES Parte exterior Lavabo Regular a pared y desague Up&Down 1" 1/4. Se completa con cuerpo empotrar CRICS200 (diestro) / CRICS201 (zurdo)
- RU Наружные части настенного смесителя для раковины Длина 180 мм совмещается со встроенным механизмом CRICS200 (правосторонний) / CRICS201 (левосторонний) с донным клапаном Up&Down 1"1/4

51 cromo 13 nero opaco 75 cromo nero spazzolato 34P oro rosa spazzolato PVD  
77 metallic spazzolato

72 cromo nero lucido 96P gold brass spazzolato PVD 46P oro rosa lucido PVD 56P gold brass lucido PVD



CRHCR17734Q00

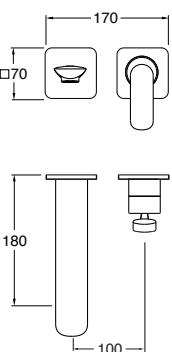
**CRIFL957** REGULAR



CRICS200 p.14 CRICS201 p.15

- IT Set esterno monocomando Lavabo Regular a parete, con miscelazione meccanica senza scarico. Lunghezza bocca 180 mm. Da completarsi con parte incasso CRICS200 (dx) / CRICS201 (sx)
- DE Fertigmontageset Waschtisch-Einhandmischer Regular Wandmontage für Einbaukörper CRICS200 (Kartusche rechts) / CRICS201 (Kartusche links), Auslauf 180 mm ohne Ablaufgarnitur
- FR Façade mitigeur Lavabo mural Regular, cartouche monocomande, sans vidage. A compléter avec le corps encastré CRICS200 (droite) / CRICS201 (gauche)
- EN Wall mounted Basin single lever mixer Regular external parts without waste. Spout length 180 mm. To complete with the concealed valve CRICS200 (right) / CRICS201 (left)
- ES Parte exterior Lavabo Regular a pared sin desague. Se completa con cuerpo empotrar CRICS200 (diestro) / CRICS201 (zurdo)
- RU Наружные части настенного смесителя для раковины Длина 180 мм совмещается со встроенным механизмом CRICS200 (правосторонний) / CRICS201 (левосторонний) без донного Клапана

51 cromo



CRHCR17734Q00

**CRIFL258** LARGE

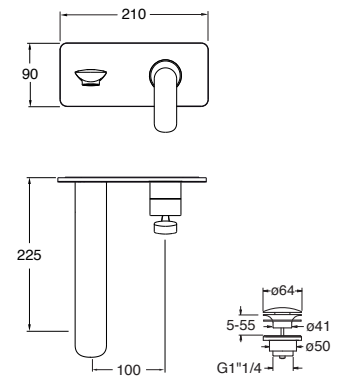


CRICS200 p.14 CRICS201 p.15

- IT Set esterno monocomando Lavabo Large a parete, piastra in metallo con miscelazione meccanica e scarico Up&Down da 1" 1/4. Lunghezza bocca 225 mm. Da completarsi con parte incasso CRICS200 (dx) / CRICS201 (sx)
- DE Fertigmontageset Waschtisch-Einhandmischer Large Wandmontage für Einbaukörper CRICS200 (Kartusche rechts) / CRICS201 (Kartusche links), Auslauf 225 mm, Abdeckplatte aus Metall mit Ablaufgarnitur Up&Down 1" 1/4
- FR Façade Lavabo mitigeur mural Large, cartouche monocomande, plaque laiton, avec vidage Up&Down 1" 1/4. A compléter avec le corps encastré CRICS200 (droite) / CRICS201 (gauche)
- EN Wall mounted Basin single lever mixer Large external parts, metal plate with Up&Down waste 1" 1/4. Spout length 225 mm. To complete with the concealed valve CRICS200 (right) / CRICS201 (left)
- ES Parte exterior Lavabo Large a pared, placa en metal y desague Up&Down 1" 1/4. Se completa con cuerpo empotrar CRICS200 (diestro) / CRICS201 (zurdo)
- RU Наружные части настенного смесителя для раковины Длина 225 мм совмещается со встроенным механизмом: CRICS200 (правосторонний) / CRICS201 (левосторонний) с донным клапаном Up&Down 1"1/4

51 cromo 13 nero opaco 75 cromo nero spazzolato 34P oro rosa spazzolato PVD  
77 metallic spazzolato

72 cromo nero lucido 96P gold brass spazzolato PVD 46P oro rosa lucido PVD 56P gold brass lucido PVD



CRHCR17734Q00

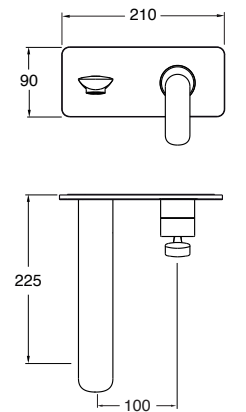
**CRIFL958** LARGE



CRICS200 p.14 CRICS201 p.15

- IT Set esterno monocomando Lavabo Large a parete, piastra in metallo, con miscelazione meccanica senza scarico. Lunghezza bocca 225 mm. Da completarsi con parte incasso CRICS200 (dx) / CRICS201 (sx)
- DE Fertigmontageset Waschtisch-Einhandmischer Large Wandmontage für Einbaukörper CRICS200 (Kartusche rechts) / CRICS201 (Kartusche links), Auslauf 225 mm, Abdeckplatte aus Metall ohne Ablaufgarnitur
- FR Façade mitigeur Lavabo mural Large, cartouche monocomande, sans vidage. A compléter avec le corps encastré CRICS200 (droite) / CRICS201 (gauche)
- EN Wall mounted Basin single lever mixer Large external parts without waste. Spout length 225 mm. To complete with the concealed valve CRICS200 (right) / CRICS201 (left)
- ES Parte exterior Lavabo Large a pared sin desague. Se completa con cuerpo empotrar CRICS200 (diestro) / CRICS201 (zurdo)
- RU Наружные части настенного смесителя для раковины Длина 225 мм совмещается со встроенным механизмом: CRICS200 (правосторонний) / CRICS201 (левосторонний) без донного Клапана

51 cromo



CRHCR17734Q00

**CRIFL259** LARGE

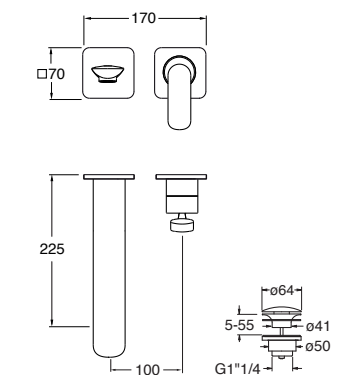


CRICS200 p.14 CRICS201 p.15

- IT Set esterno monocomando Lavabo Large a parete, con miscelazione meccanica e scarico Up&Down da 1" 1/4. Lunghezza bocca 225 mm. Da completarsi con parte incasso CRICS200 (dx) / CRICS201 (sx)
- DE Fertigmontageset Waschtisch-Einhandmischer Large Wandmontage für Einbaukörper CRICS200 (Kartusche rechts) / CRICS201 (Kartusche links), Auslauf 225 mm mit Ablaufgarnitur Up&Down 1" 1/4
- FR Façade Lavabo mitigeur mural Large, cartouche monocomande, plaque laiton, avec vidage Up&Down 1" 1/4. A compléter avec le corps encastré CRICS200 (droite) / CRICS201 (gauche)
- EN Wall mounted Basin single lever mixer Large external parts, metal plate with Up&Down waste 1" 1/4. Spout length 225 mm. To complete with the concealed valve CRICS200 (right) / CRICS201 (left)
- ES Parte exterior Lavabo Large a pared, y desague Up&Down 1" 1/4. Se completa con cuerpo empotrar CRICS200 (diestro) / CRICS201 (zurdo)
- RU Наружные части настенного смесителя для раковины Длина 225 мм совмещается со встроенным механизмом CRICS200 (правосторонний) / CRICS201 (левосторонний) с донным клапаном Up&Down 1"1/4

51 cromo 13 nero opaco 75 cromo nero spazzolato 34P oro rosa spazzolato PVD  
77 metallic spazzolato

72 cromo nero lucido 96P gold brass spazzolato PVD 46P oro rosa lucido PVD 56P gold brass lucido PVD



CRHCR17734Q00



**CRIFL959** LARGE



**CRIFL320**



**CRIFL370**

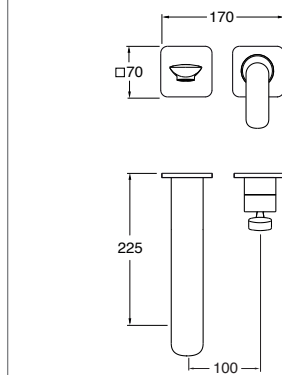


**CRIFL321**



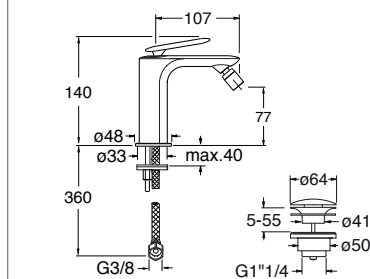
IT Set esterno monocomando Lavabo Large a parete, con miscelazione meccanica senza scarico. Lunghezza bocca 225 mm. Da completarsi con parte incasso CRICS200 (dx) / CRICS201 (sx)  
 DE Fertigmontageset Waschtisch-Einhandmischer Large Wandmontage für Einbaukörper CRICS200 (Kartusche rechts) / CRICS201 (Kartusche links), Auslauf 225 mm ohne Ablaufgarnitur  
 FR Façade mitigeur Lavabo mural Large, cartouche monocomande, sans vidage. À compléter avec le corps encastré CRICS200 (droite) / CRICS201 (gauche)  
 EN Wall mounted Basin single lever mixer Large external parts without waste. Spout length 225 mm. To complete with the concealed valve CRICS200 (right) / CRICS201 (left)  
 ES Parte exterior Lavabo Large a pared sin desagüe. Se completa con cuerpo empotrar CRICS200 (diestro) / CRICS201 (zurdo)  
 RU Наружные части настенного смесителя для раковины Длина 225 mm совмещается со встроенным механизмом CRICS200 (правосторонний) / CRICS201 (левосторонний) без донного Клапана

51 cromo



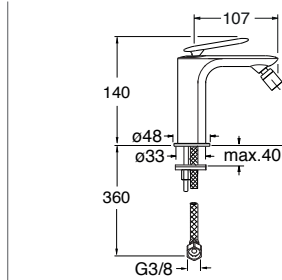
IT Miscelatore monocomando Bidet monoforo da piano, con miscelazione meccanica e scarico Up&Down da 1" 1/4  
 DE Bidet-Einhandmischer mit Ablaufgarnitur Up&Down 1" 1/4  
 FR Mitigeur Bidet monotrou, cartouche monocomande, avec vidage Up&Down 1" 1/4  
 EN One-hole Bidet single lever mixer with Up&Down waste 1 1/4"  
 ES Monomando Bidet sobre repisa con desagüe Up&Down 1" 1/4 con varilla  
 RU Смеситель для биде с донным клапаном Up&Down 1"1/4

51 cromo    13 nero opaco    75 cromo nero spazzolato    34P oro rosa spazzolato PVD  
 72 cromo nero lucido    96P gold brass spazzolato PVD    46P oro rosa lucido PVD    56P gold brass lucido PVD



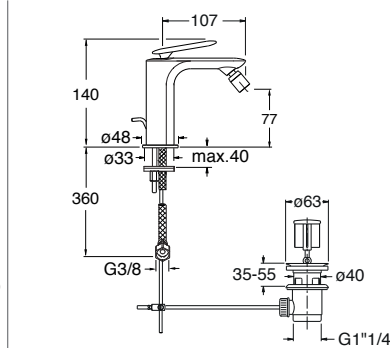
IT Miscelatore monocomando Bidet monoforo da piano, con miscelazione meccanica senza scarico  
 DE Bidet-Einhandmischer ohne Ablaufgarnitur  
 FR Mitigeur Bidet monotrou, cartouche monocomande, sans vidage  
 EN One-hole Bidet single lever mixer without waste  
 ES Monomando Bidet sobre repisa sin desagüe  
 RU Смеситель для биде без донного клапана

51 cromo



IT Miscelatore monocomando Bidet monoforo da piano, con miscelazione meccanica e scarico da 1" 1/4 con asta e saltarello  
 DE Bidet-Einhandmischer mit Ablaufgarnitur 1" 1/4 mit Zugstange  
 FR Mitigeur Bidet monotrou, cartouche monocomande, avec vidage tirette 1" 1/4  
 EN One-hole Bidet single lever mixer with pop-up waste 1 1/4"  
 ES Mezclador monobloc Bidet a repisa, mezcla mecánica y desagüe 1" 1/4 con varilla  
 RU Смеситель для биде с донным клапаном 1"1/4

51 cromo    13 nero opaco    75 cromo nero spazzolato    34P oro rosa spazzolato PVD  
 72 cromo nero lucido    96P gold brass spazzolato PVD    46P oro rosa lucido PVD    56P gold brass lucido PVD



**CRIFL409**



ORDINABILE DA / ORDER STARTING FROM: 01/11/2021

**CRIFL486**



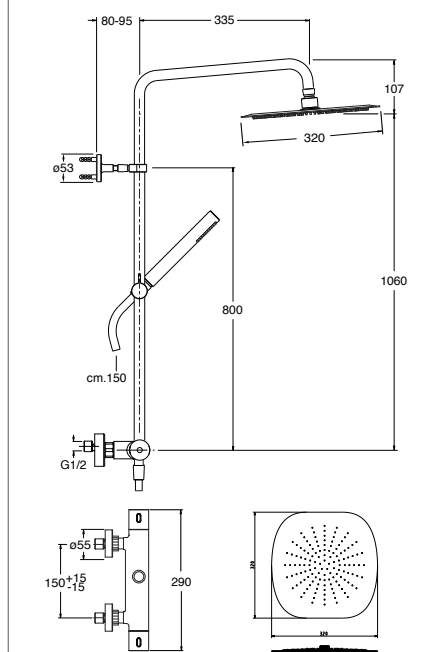
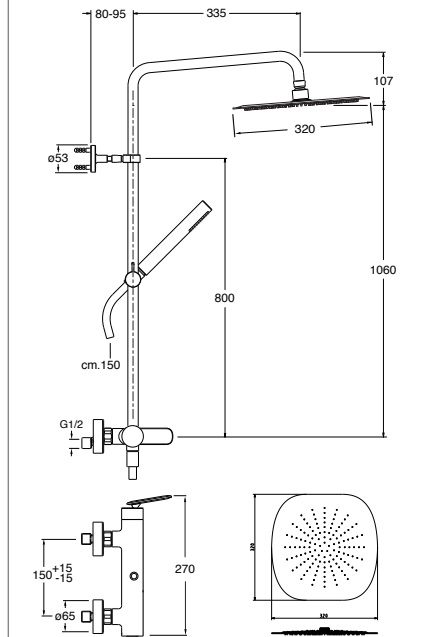
ORDINABILE DA / ORDER STARTING FROM: 01/11/2021

IT Colonna doccia a parete, con miscelazione meccanica e deviatore a automatico 2 uscite. Equipaggiata con braccio girevole, soffione Sandwich Special Ø32 cm, doccetta anticalcare con supporto scorrevole e flessibile Long Life  
 DE Brause-Einhandmischer Aufputz mit 2 Wege Umsteller, mit schwenkbarem Rohr, Kopfbrause Sandwich Special Ø32 cm, Handbrause mit Antikalk System, Gleitschieber und Brauseschlauch Long Life  
 FR Colonne de douche, cartouche monocomande, avec inverseur 2 sorties, douche de tête Sandwich Special Ø32cm, tube orientable, douchette anticalcaire avec curseur réglable et flexible Long Life  
 EN Shower Column single lever mixer with 2 way diverter, showerhead Sandwich Special Ø32 cm, orientable rail, anti-scale handset with adjustable slider and Long Life shower hose  
 ES Columna Ducha a pared con desviador automático 2 salidas, rociador Sandwich Special Ø32cm, columna rotatoria, duchita antical con soporte deslizante y flexo Long Life  
 RU Внешний смеситель для душа с поворотной колонной, верхним душем «SANDWICH SPECIAL» Ø32 см, шлангом «LONG LIFE» и ручным душем с защитой от накипи

51 cromo    13 nero opaco    75 cromo nero spazzolato    34P oro rosa spazzolato PVD  
 72 cromo nero lucido    96P gold brass spazzolato PVD    46P oro rosa lucido PVD    56P gold brass lucido PVD

IT Colonna doccia a parete, con miscelazione termostatica e deviatore a 2 uscite. Equipaggiata con braccio girevole, soffione Sandwich Special Ø32cm, doccetta anticalcare con supporto scorrevole e flessibile Long Life  
 DE Thermostat-Brausebatterie Aufputz mit 2 Wege Umsteller, mit schwenkbarem Rohr, Kopfbrause Sandwich Special Ø32cm, Handbrause mit Antikalk System, Gleitschieber und Brauseschlauch Long Life  
 FR Colonne de Douche thermostatique avec inverseur 2 sorties, douche de tête Sandwich Special Ø32cm, tube orientable, douchette anticalcaire avec curseur réglable et flexible Long Life  
 EN Thermostatic Shower Column with 2 way diverter, showerhead Sandwich Special Ø32cm, orientable rail, anti-scale handset with adjustable slider and Long Life shower hose  
 ES Columna Ducha a pared termostática y desviador automático 2 salidas, rociador Sandwich Special Ø32cm, columna rotatoria, duchita antical con soporte deslizante y flexo Long Life  
 RU Ненагревающийся внешний термостатический смеситель для душа с поворотной колонной, верхним душем «SANDWICH SPECIAL» Ø32 см, ручным душем с защитой от известковых отложений со шлангом «LONG LIFE»

51 cromo    13 nero opaco    75 cromo nero spazzolato    34P oro rosa spazzolato PVD  
 72 cromo nero lucido    96P gold brass spazzolato PVD    46P oro rosa lucido PVD    56P gold brass lucido PVD

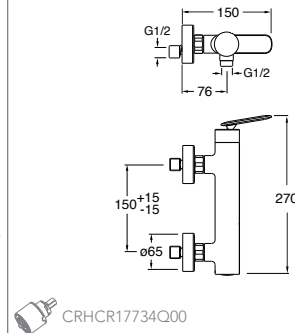


**CRIFL401**



IT Miscelatore monocomando Doccia esterno a parete, con miscelazione meccanica  
 DE Brause-Einhandmischer Aufputz  
 FR Mitigeur de Douche mural apparent, cartouche monocomande  
 EN Exposed single lever Shower mixer  
 ES Monomando Ducha externa a pared  
 RU Внешний смеситель для душа

51 cromo	13 nero opaco	75 cromo nero spazzolato 77 metallic spazzolato	34P oro rosa spazzolato PVD
72 cromo nero lucido	96P gold brass spazzolato PVD	46P oro rosa lucido PVD 56P gold brass lucido PVD	



CRHCR17734Q00

ORDINABILE DA / ORDER STARTING FROM: 01/11/2021

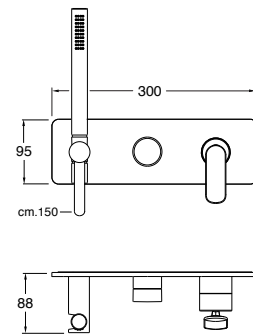
**CRIFL602**



CRICS100 p.14 CRICS101 p.14

IT Set esterno monocomando Doccia/Vasca a parete, piastra in metallo, con miscelazione meccanica e deviatore a 2 uscite. Doccetta anticalcare e flessibile Long Life. Da completarsi con parte incasso CRICS100 (dx) / CRICS101 (sx)  
 DE Fertigmontageset Brause/Wannen-Einhandmischer mit 2 Wege Umsteller für Einbaukörper CRICS100 (Kartusche rechts) / CRICS101 (Kartusche links), Handbrause mit Antikalk System, Brauseschlauch Long Life und Abdeckplatte aus Metall  
 FR Façade Bain/Douche mitigeur mural, cartouche monocomande et inverseur 2 sorties, plaque laiton, douchette anticalcaire et flexible Long Life. A compléter avec le corps encastré CRICS100 (droite) / CRICS101 (gauche)  
 EN Wall mounted Bath/Shower single lever mixer external parts, with 2 way diverter, metal plate, anti-scale handset and Long Life shower hose. To complete with the concealed valve CRICS100 (right) / CRICS101 (left)  
 ES Monomando Baño/Ducha a pared, placa en metal, con desviador automático 2 salidas, duchita antical y flexo Long Life. Se completa con cuerpo empotrar CRICS100 (diestro) / CRICS101 (zurdo)  
 RU Наружные части смесителя для ванны/душа совмещается со встроенным механизмом: CRI CS 100 (правосторонний) / CRICS101 (левосторонний) с переключателем 2 выходами, ручным душем с защитой от известковых и шлангом «LONG LIFE»

51 cromo	13 nero opaco	75 cromo nero spazzolato 77 metallic spazzolato	34P oro rosa spazzolato PVD
72 cromo nero lucido	96P gold brass spazzolato PVD	46P oro rosa lucido PVD 56P gold brass lucido PVD	



CRHCR17734Q00 + CRHCR21796Q00

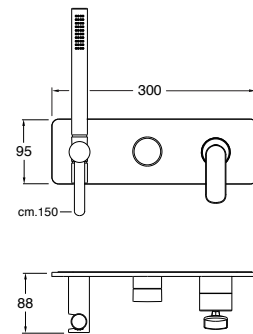
**CRIFL603**



CRICS100 p.14 CRICS101 p.14

IT Set esterno monocomando Doccia/Vasca a parete, piastra in metallo, con miscelazione meccanica e deviatore a 3 uscite. Doccetta anticalcare e flessibile Long Life. Da completarsi con parte incasso CRICS100 (dx) / CRICS101 (sx)  
 DE Fertigmontageset Brause/Wannen-Einhandmischer mit 3 Wege Umsteller für Einbaukörper CRICS100 (Kartusche rechts) / CRICS101 (Kartusche links), Handbrause mit Antikalk System, Brauseschlauch Long Life und Abdeckplatte aus Metall  
 FR Façade Bain/Douche mitigeur mural, cartouche monocomande et inverseur 3 sorties, plaque laiton, douchette anticalcaire et flexible Long Life. A compléter avec le corps encastré CRICS100 (droite) / CRICS101 (gauche)  
 EN Wall mounted Bath/Shower single lever mixer external parts, with 3 way diverter, metal plate, anti-scale handset and Long Life shower hose. To complete with the concealed valve CRICS100 (right) / CRICS101 (left)  
 ES Monomando Baño/Ducha a pared, placa en metal, desviador automático 3 salidas, duchita antical y flexo Long Life. Se completa con cuerpo empotrar CRICS100 (diestro) / CRICS101 (zurdo)  
 RU Наружные части смесителя для ванны/душа совмещается со встроенным механизмом: CRI CS 100 (правосторонний) / CRICS101 (левосторонний) с переключателем 3 выходами, ручным душем с защитой от известковых и шлангом «LONG LIFE»

51 cromo	13 nero opaco	75 cromo nero spazzolato 77 metallic spazzolato	34P oro rosa spazzolato PVD
72 cromo nero lucido	96P gold brass spazzolato PVD	46P oro rosa lucido PVD 56P gold brass lucido PVD	



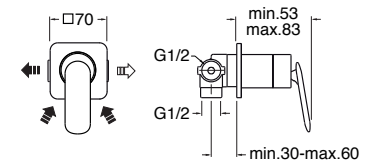
CRHCR17734Q00 + CRHCR14410Q00

**CRIFL638**



IT Miscelatore monocomando Doccia a parete, piastra in metallo, con miscelazione meccanica, completo di parte incasso  
 DE Unterputz Brause-Einhandmischer inkl. Einbaukörper mit Abdeckplatte aus Metall  
 FR Façade Douche mitigeur mural, cartouche monocomande, plaque laiton, avec le corps encastré inclus  
 EN Single lever Shower mixer external parts, metal plate, with concealed valve included  
 ES Monomando ducha empotrar completo  
 RU Полный комплект скрытого смесителя для душа

51 cromo	13 nero opaco	75 cromo nero spazzolato 77 metallic spazzolato	34P oro rosa spazzolato PVD
72 cromo nero lucido	96P gold brass spazzolato PVD	46P oro rosa lucido PVD 56P gold brass lucido PVD	



CRHCR17734Q00

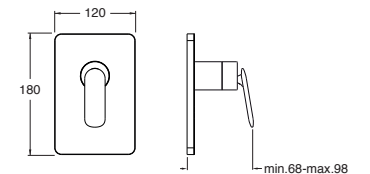
**CRIFL686**



CRICS535 p.15

IT Set esterno monocomando Doccia a parete, piastra in metallo, con miscelazione meccanica. Da completarsi con parte incasso CRICS535  
 DE Fertigmontageset Brause-Einhandmischer für Einbaukörper CRICS535 mit Abdeckplatte aus Metall  
 FR Façade Douche mitigeur mural, cartouche monocomande, plaque laiton. A compléter avec le corps encastré CRICS535  
 EN Single lever Shower mixer external parts, metal plate. To complete with the concealed valve CRICS535  
 ES Monomando Ducha/Baño a pared, placa en metal. Se completa con cuerpo empotrar CRICS535  
 RU Внешние части смесителя для душа, отложений для CRICS535

51 cromo	13 nero opaco	75 cromo nero spazzolato 77 metallic spazzolato	34P oro rosa spazzolato PVD
72 cromo nero lucido	96P gold brass spazzolato PVD	46P oro rosa lucido PVD 56P gold brass lucido PVD	



CRHCR17734Q00

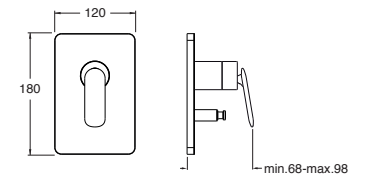
**CRIFL689**



CRICS535 p.15

IT Set esterno monocomando Doccia/Vasca a parete, piastra in metallo, con miscelazione meccanica e deviatore automatico a 2 uscite. Da completarsi con parte incasso CRICS535  
 DE Fertigmontageset Brause/Wannen-Einhandmischer für Einbaukörper CRICS535 mit 2 Wege Umsteller und Abdeckplatte aus Metall  
 FR Façade Bain/Douche mitigeur mural, cartouche monocomande et inverseur 2 sorties, plaque laiton. A compléter avec le corps encastré CRICS535  
 EN Single lever Bath and Shower mixer external parts, metal plate, 2 way diverter. To complete with the concealed valve CRICS535  
 ES Monomando Ducha/Baño a pared, placa en metal y desviador automático 2 salidas. Se completa con cuerpo empotrar CRICS535  
 RU Наружные части смесителя для ванны/душа с переключателем 2 выходами, отложений для CRICS535

51 cromo	13 nero opaco	75 cromo nero spazzolato 77 metallic spazzolato	34P oro rosa spazzolato PVD
72 cromo nero lucido	96P gold brass spazzolato PVD	46P oro rosa lucido PVD 56P gold brass lucido PVD	



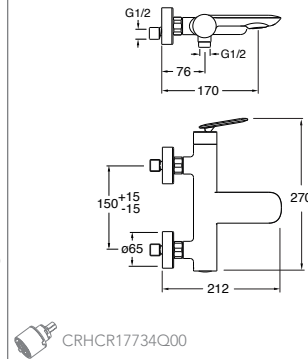
CRHCR17734Q00

CRIFL107



IT Miscelatore monocomando Vasca esterno a parete, con miscelazione meccanica e deviatore automatico a 2 uscite  
 DE Wannen-Einhandmischer Aufputz mit 2 Wege Umsteller  
 FR Mitigeur Bain Douche mural apparent, cartouche monocomande et inverseur automatique 2 sorties  
 EN Exposed single lever Bath mixer with 2 way diverter  
 ES Monomando Baño externo a pared con desviador automático 2 salidas  
 RU Внешний смеситель для ванны с переключателем 2 выходами

51 cromo	13 nero opaco	75 cromo nero spazzolato 77 metallic spazzolato	34P oro rosa spazzolato PVD
72 cromo nero lucido	96P gold brass spazzolato PVD	46P oro rosa lucido PVD 56P gold brass lucido PVD	



CRHCR17734Q00

ORDINABILE DA / ORDER STARTING FROM: 01/11/2021

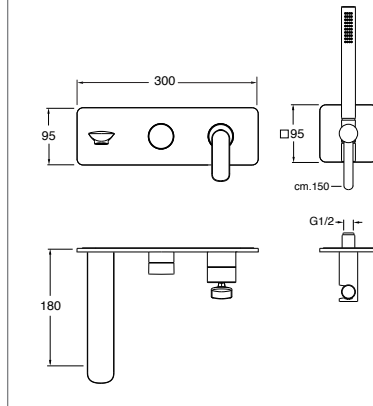
CRIFL102



CRICS100 p.14 CRICS101 p.14

IT Set esterno monocomando Vasca a parete, piastra in metallo, con miscelazione meccanica, deviatore a 2 uscite, doccetta anticalcare e flessibile Long Life. Da completarsi con parte incasso CRICS100 (dx) / CRICS101 (sx)  
 DE Fertigmontageset Wannen-Einhandmischer mit 2 Wege Umsteller für Einbaukörper CRICS100 (Kartusche rechts) / CRICS101 (Kartusche links), Handbrause mit Antikalk System, Brauseschlauch Long Life und Abdeckplatte aus Metall  
 FR Façade Bain Douche mitigeur mural, cartouche monocomande et inverseur 2 sorties, plaque laiton, douchette anticalcaire et flexible Long Life. A compléter avec le corps encastré CRICS100 (droite) / CRICS101 (gauche)  
 EN Wall mounted Bath single lever mixer external parts, with 2 way diverter, metal plate, anti-scale handset and Long Life shower hose. To complete with the concealed valve CRICS100 (right) / CRICS101 (left)  
 ES Monomando Baño a pared, placa en metal, desviador automático 2 salidas, duchita antical y flexo Long Life. Se completa con cuerpo empotrar CRICS100 (diestro) / CRICS101 (zurdo)  
 RU Наружные части смесителя для ванны/душа для CRICS100 (правосторонний) (правосторонний) - CRICS101 (левосторонний) с переключателем с 2 выходами, ручным душем с защитой от известковых отложений и шлангом "Long Life"

51 cromo	13 nero opaco	75 cromo nero spazzolato 77 metallic spazzolato	34P oro rosa spazzolato PVD
72 cromo nero lucido	96P gold brass spazzolato PVD	46P oro rosa lucido PVD 56P gold brass lucido PVD	



CRHCR17734Q00 + CRHCR21796Q00

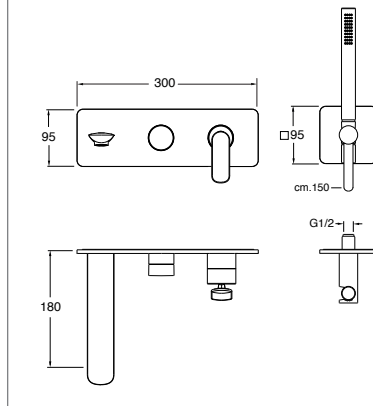
CRIFL103



CRICS100 p.14 CRICS101 p.14

IT Set esterno monocomando Vasca a parete, piastra in metallo, con miscelazione meccanica, deviatore a 3 uscite, doccetta anticalcare e flessibile Long Life. Da completarsi con parte incasso CRICS100 (dx) / CRICS101 (sx)  
 DE Fertigmontageset Wannen-Einhandmischer mit 3 Wege Umsteller für Einbaukörper CRICS100 (Kartusche rechts) / CRICS101 (Kartusche links), Handbrause mit Antikalk System, Brauseschlauch Long Life und Abdeckplatte aus Metall  
 FR Façade Bain Douche mitigeur mural, cartouche monocomande et inverseur 3 sorties, plaque laiton, douchette anticalcaire et flexible Long Life. A compléter avec le corps encastré CRICS100 (droite) / CRICS101 (gauche)  
 EN Wall mounted Bath single lever mixer external parts, with 3 way diverter, metal plate, anti-scale handset and Long Life shower hose. To complete with the concealed valve CRICS100 (right) / CRICS101 (left)  
 ES Monomando Baño a pared, placa en metal, desviador automático 3 salidas, duchita antical y flexo Long Life. Se completa con cuerpo mpotrar CRICS100 (diestro) / CRICS101 (zurdo)  
 RU Наружные части смесителя для ванны/душа для CRICS100 (правосторонний) - CRICS101 (левосторонний) с переключателем с 3 выходами, ручным душем с защитой от известковых отложений и шлангом "Long Life"

51 cromo	13 nero opaco	75 cromo nero spazzolato 77 metallic spazzolato	34P oro rosa spazzolato PVD
72 cromo nero lucido	96P gold brass spazzolato PVD	46P oro rosa lucido PVD 56P gold brass lucido PVD	



CRHCR17734Q00 + CRHCR14410Q00

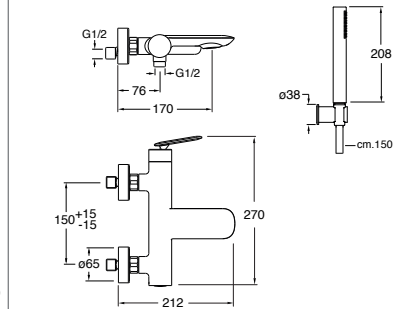
CRIFL100



ORDINABILE DA / ORDER STARTING FROM: 01/11/2021

IT Miscelatore monocomando Vasca esterno a parete, con miscelazione meccanica, deviatore automatico a 2 uscite, doccetta anticalcare e flessibile Long Life  
 DE Wannen-Einhandmischer Aufputz mit 2 Wege Umsteller, Handbrause mit Antikalk System und Brauseschlauch Long Life  
 FR Mitigeur bain douche mural apparent, cartouche monocomande et inverseur automatique 2 sorties, douchette anticalcaire et flexible Long Life  
 EN Exposed single lever mixer with 2 way diverter, anti-scale handset and Long Life shower hose  
 ES Monomando Baño/Ducha con desviador 2 salidas, duchita antical y flexo Long Life  
 RU Внешний смеситель для ванны со шлангом «LONG LIFE» и ручным душем с защитой от известковости

51 cromo	13 nero opaco	75 cromo nero spazzolato 77 metallic spazzolato	34P oro rosa spazzolato PVD
72 cromo nero lucido	96P gold brass spazzolato PVD	46P oro rosa lucido PVD 56P gold brass lucido PVD	



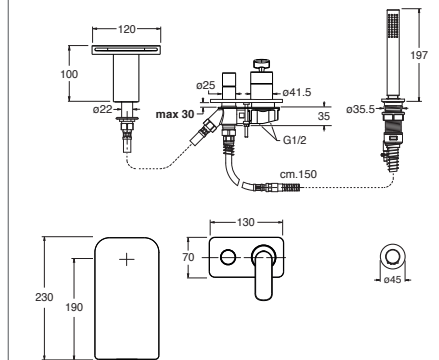
CRHCR17734Q00

CRIFL181



IT Miscelatore monocomando Bordo Vasca da piano ispezionabile, con miscelazione meccanica, deviatore automatico a 2 uscite, con bocca erogazione, doccetta anticalcare estraibile e dispositivo drenante Follow Me  
 DE Wannenrand-Einhandmischer mit 2 Wege Umsteller, Wanneneinlauf, herausziehbarer Handbrause mit Antikalk System und Follow Me Funktion  
 FR Mitigeur bain douche sur gorge, cartouche monocomande, avec inverseur 2 sorties, bec cascade, douchette anticalcaire extractible avec système de récolte de l'eau Follow Me  
 EN Deck mounted single-lever mixer inspectionable, 2-way automatic diverter, with spout, anti-scale hand shower with drainage Follow Me  
 ES Monomando bañera sobre repisa inspeccionable, con desviador 2 salidas, con caño de llenado y duchita antical extraible con sistema Follow Me  
 RU Смеситель для ванны для монтажа на бортике с переключателем 2 выходами отложений с ручным душем и «FOLLOW ME»: Система монтажа на бортике с комплектом капельного слива

51 cromo	13 nero opaco	75 cromo nero spazzolato 77 metallic spazzolato	34P oro rosa spazzolato PVD
72 cromo nero lucido	96P gold brass spazzolato PVD	46P oro rosa lucido PVD 56P gold brass lucido PVD	



CRHCR17734Q00

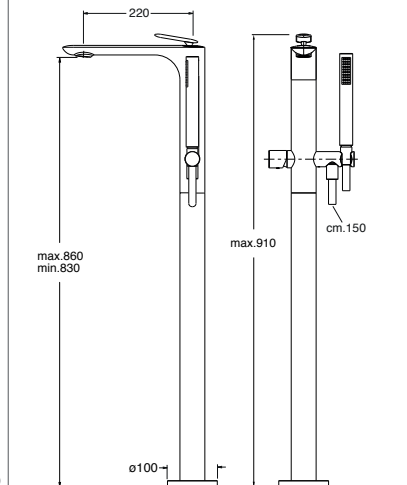
CRIFL189



CRICS290 p.15  
 ORDINABILE DA / ORDER STARTING FROM: 01/11/2021

IT Set esterno monocomando Vasca a pavimento, con miscelazione meccanica, doccetta anticalcare a miscelazione meccanica indipendente e flessibile Long Life. Da completarsi con parte incasso CRICS290  
 DE Fertigmontageset Wannen-Einhandmischer bodenstehend für Einbaukörper CRICS290 mit separater Bedienung für Handbrause mit Antikalk System und Brauseschlauch Long Life  
 FR Mitigeur Bain Douche monocolonne, cartouche monocomande, douchette anticalcaire avec comande mitigeur indépendante et flexible Long Life. A compléter avec le corps encastré CRICS290  
 EN Floor mounted Bath single lever mixer, anti-scale handset with independent single lever mixer control and Long Life shower hose. To complete with the concealed valve CRICS290  
 ES Monomando Baño a pavimento con duchita antical y flexo Long Life. Se completa con cuerpo empotrar CRICS290  
 RU Наружные части напольного смесителя для ванны для CRICS290 со шлангом "Long Life" и ручным душем с защитой

51 cromo	13 nero opaco	75 cromo nero spazzolato 77 metallic spazzolato	34P oro rosa spazzolato PVD
72 cromo nero lucido	96P gold brass spazzolato PVD	46P oro rosa lucido PVD 56P gold brass lucido PVD	



CRHCR22907Q00 + CRHCR16610Q00



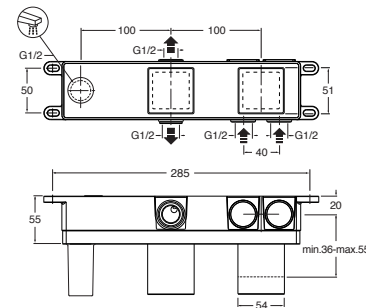


CRICS100



- IT Set da incasso universale per miscelatore monocomando Doccia/Vasca con deviatore 2 o 3 uscite - comando destro
- DE Universal Unterputz-Einbaukörper für Brause/Wannen-Einhandmischer mit 2 oder 3 Wege Umsteller - Kartusche rechts
- FR Mécanisme mitigeur encastré universel pour douche et bain douche, avec inverseur 2 ou 3 sorties, commande à droite
- EN Universal Shower/Bath concealed body with diverter to 2 or 3 outlets - right side
- ES Kit de empotrar universal para mezclador monomando Baño/Ducha diestro con desviador 2 o 3 salidas
- RU Универсальный встраиваемый набор для однорычажного смесителя для душа/ванны с переключателем 2 или 3 выхода, правосторонний

Per informazioni sul prezzo, consultare il listino CRISTINA 2020  
 Informationen zum Preis finden Sie in der CRISTINA Preisliste 2020  
 Pour des informations sur le prix, veuillez consulter la liste de prix CRISTINA 2020  
 For price information, please check CRISTINA 2020 price list  
 Para obtener información sobre el precio, por favor ver el catálogo CRISTINA 2020  
 Для получения информации о ценах, пожалуйста, смотрите прайс-листы CRISTINA 2020

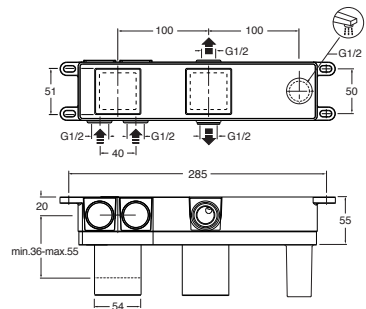


CRICS101



- IT Set da incasso universale per miscelatore monocomando doccia/vasca con deviatore 2 o 3 uscite - comando sinistro
- DE Universal Unterputz-Einbaukörper für Brause/Wannen-Einhandmischer mit 2 oder 3 Wege Umsteller - Kartusche links
- FR Mécanisme mitigeur encastré universel pour douche et bain douche, avec inverseur 2 ou 3 sorties, commande à gauche
- EN Universal Shower/Bath concealed body with diverter to 2 or 3 outlets - left side
- ES Kit de empotrar universal para mezclador monomando Baño/Ducha zurdo con desviador 2 o 3 salidas
- RU Универсальный встраиваемый набор для однорычажного смесителя для душа/ванны с переключателем 2 или 3 выхода, левосторонний

Per informazioni sul prezzo, consultare il listino CRISTINA 2020  
 Informationen zum Preis finden Sie in der CRISTINA Preisliste 2020  
 Pour des informations sur le prix, veuillez consulter la liste de prix CRISTINA 2020  
 For price information, please check CRISTINA 2020 price list  
 Para obtener información sobre el precio, por favor ver el catálogo CRISTINA 2020  
 Для получения информации о ценах, пожалуйста, смотрите прайс-листы CRISTINA 2020

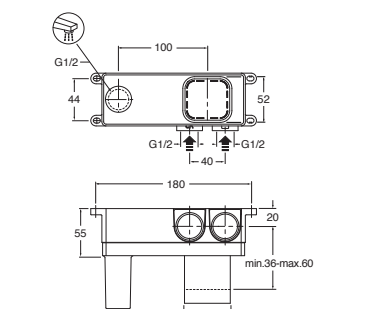


CRICS200



- IT Set da incasso universale per miscelatore monocomando Lavabo - comando destro
- DE Universal Unterputz-Einbaukörper (Kartusche rechts) für Waschtisch-Einhandmischer Wandmontage
- FR Mécanisme mitigeur encastré universel lavabo, comande à droite
- EN Universal Basin concealed body - right side
- ES Kit de empotrar universal para mezclador monomando Lavabo diestro
- RU Встраиваемый универсальный набор для однорычажного смесителя для раковины/биде, правосторонний

Per informazioni sul prezzo, consultare il listino CRISTINA 2020  
 Informationen zum Preis finden Sie in der CRISTINA Preisliste 2020  
 Pour des informations sur le prix, veuillez consulter la liste de prix CRISTINA 2020  
 For price information, please check CRISTINA 2020 price list  
 Para obtener información sobre el precio, por favor ver el catálogo CRISTINA 2020  
 Для получения информации о ценах, пожалуйста, смотрите прайс-листы CRISTINA 2020

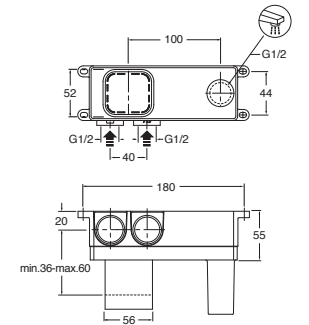


CRICS201



- IT Set da incasso universale per miscelatore monocomando Lavabo - comando sinistro
- DE Universal Unterputz-Einbaukörper - Kartusche links für Waschtisch-Einhandmischer Wandmontage
- FR Mécanisme mitigeur encastré universel lavabo, comande à gauche
- EN Universal Basin concealed body - left side
- ES Kit de empotrar universal para mezclador monomando Lavabo zurdo
- RU Встраиваемый универсальный набор для однорычажного смесителя для раковины/биде, левосторонний

Per informazioni sul prezzo, consultare il listino CRISTINA 2020  
 Informationen zum Preis finden Sie in der CRISTINA Preisliste 2020  
 Pour des informations sur le prix, veuillez consulter la liste de prix CRISTINA 2020  
 For price information, please check CRISTINA 2020 price list  
 Para obtener información sobre el precio, por favor ver el catálogo CRISTINA 2020  
 Для получения информации о ценах, пожалуйста, смотрите прайс-листы CRISTINA 2020

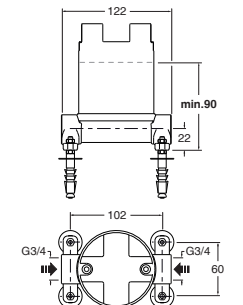


CRICS290



- IT Set da incasso universale per miscelatori Lavabo/Vasca a pavimento
- DE Universal Unterputz-Einbaukörper für Waschtisch/Wannen-Einhandmischer bodenstehend
- FR Mécanisme mitigeur encastré universel pour Lavabo/Bain Douche sur pied
- EN Universal concealed body for floor mounted Basin/Bath mixer
- ES Kit de empotrar universal para mezcladores Lavabo/Ducha a suelo
- RU Встраиваемый набор для напольных смесителей для умывальника/ванны

Per informazioni sul prezzo, consultare il listino CRISTINA 2020  
 Informationen zum Preis finden Sie in der CRISTINA Preisliste 2020  
 Pour des informations sur le prix, veuillez consulter la liste de prix CRISTINA 2020  
 For price information, please check CRISTINA 2020 price list  
 Para obtener información sobre el precio, por favor ver el catálogo CRISTINA 2020  
 Для получения информации о ценах, пожалуйста, смотрите прайс-листы CRISTINA 2020

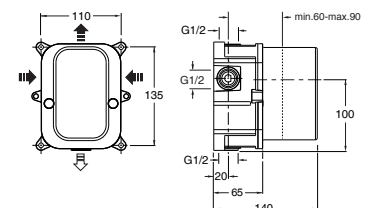


CRICS535



- IT Set da incasso universale per miscelatore monocomando meccanico Doccia/Vasca con 1 o 2 uscite da 1/2"
- DE Universal Unterputz-Einbaukörper für Brause/Wannen-Einhandmischer mit 1 oder 2 Abgänge 1/2"
- FR Mécanisme mitigeur encastré universel pour mitigeur monocomande mécanique douche et bain douche à 1 ou 2 sorties
- EN Universal shower/bath concealed body with option of 1 or 2 outlets 1/2"
- ES Parte empotrada monomando ducha/bañera con una o dos salidas de 1/2"
- RU Универсальный встроенный механизм для однорычажного смесителя душа/ванны с 1 или 2 выходами 1/2"

Per informazioni sul prezzo, consultare il listino CRISTINA 2020  
 Informationen zum Preis finden Sie in der CRISTINA Preisliste 2020  
 Pour des informations sur le prix, veuillez consulter la liste de prix CRISTINA 2020  
 For price information, please check CRISTINA 2020 price list  
 Para obtener información sobre el precio, por favor ver el catálogo CRISTINA 2020  
 Для получения информации о ценах, пожалуйста, смотрите прайс-листы CRISTINA 2020





CRISTINA SRL a socio unico  
via G. Fava, 56  
28024 Gozzano (NO) - Italy  
T +39 0322 9545  
info@cristinagroup.com  
cristinarubinetterie.com



Cristina Srl è in possesso di un Sistema di Gestione Aziendale certificato secondo le norme UNI EN ISO9001:2015 (Qualità) e OH SAS 18001 (Salute e Sicurezza sui luoghi di lavoro).  
*Cristina Srl has a Company Management System certified according to UNI EN ISO9001:2015 (Quality) and OH SAS 18001 (Health and Safety in the workplace).*

L'azienda si riserva il diritto di apportare modifiche che riterrà opportune, utili a migliorare la funzionalità e l'estetica dei propri prodotti senza preavviso.  
*The company reserves the right to make any appropriate modifications to improve functionality and design of its products without notice.*